

# Features and Benefits

**ANTRONIX®**

## F-Splice F81B and F81BP Series

Antronix's high performance F-splice is crafted with high quality, corrosion-resistant machined brass and nickel plating for indoor and outdoor use. This barrel splice operates up to 3 GHz for use in CATV and satellite applications.

The F81BP splice, with thread depth offset, is also available already paired with Antronix wall plates (WPx-81B).

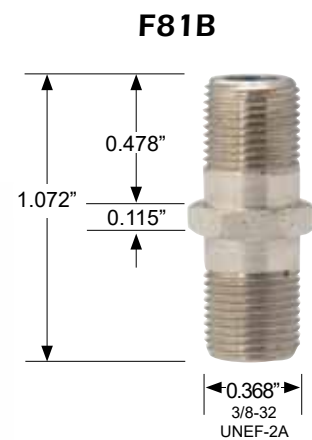
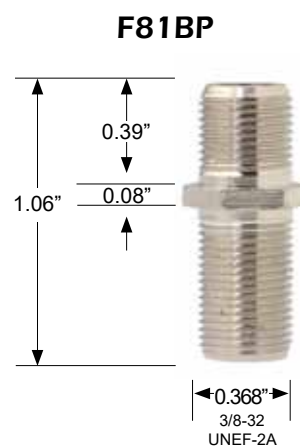
### Specifications

Electrical				
Frequency (MHz)	Insertion Loss		Return Loss	
	Maximum (dB)	Typical (dB)	Minimum (dB)	Typical (dB)
5-15	0.10	0.01	40	50
15-40	0.10	0.01	40	45
40-200	0.10	0.02	35	40
200-550	0.10	0.05	28	35
550-750	0.10	0.06	25	30
750-1002	0.10	0.07	25	28
1002-1500	0.15	0.12	22	26
1500-3000	0.20	0.15	20	24

General	
Nominal Impedance	75 Ω
F-connector Type	F81B: ANSI/SCTE 01 Compliant F81BP: ANSI/SCTE 02 Compliant
Surge Withstand	6 kV Combination Wave (IEEE C62.41-1991 Cat. B3)
Flatness	+/- 0.05 dB
Environmental	
Operating Temperature	-40 °C to +60 °C
RFI	>100 dB
Salt Spray	ASTM B117-03

### Ordering Guide

<b>F81B</b>	Barrel splice
<b>F81BP</b>	Barrel splice with deep offset
<b>WPW-81B</b>	Wall plate with F81BP (white)
<b>WPI-81B</b>	Wall plate with F81BP (ivory)
<b>WPB-81B</b>	Wall plate with F81BP (brown)



Specifications subject to change without notice