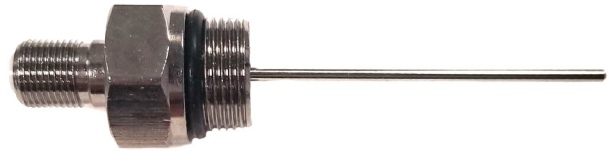


Features and Benefits

ANTRONIX®

ACF-6-NL 5/8-24 male to F-female High Current Adaptor

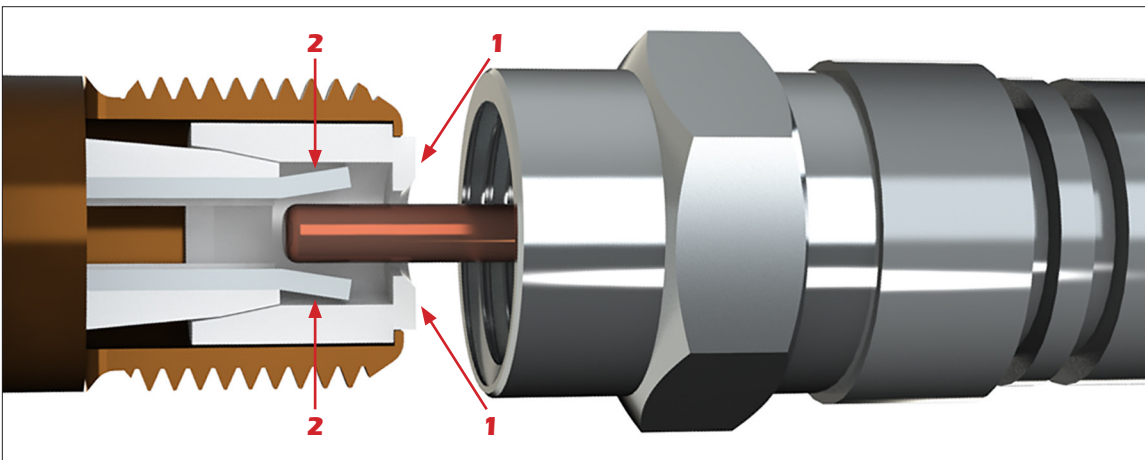
Antronix's high current 5/8-24 to CamPort® F adaptor is designed for the latest power-hungry devices. The auto-seizing F-type CamPort® provides over 2000 grams of pull force to actively grip the center pin for a reliable connection delivering 5 amperes of continuous current while passing RF. With the increased powering requirements from cellular small cells and next generation Wi-Fi hotspots, this adaptor provides a solution for delivering network power to your access point.



Specification	Freq (MHz)	Max/Min (dB)	Typical (dB)
Insertion Loss			
Maximum (dB)	5-85	0.1	0.05
	85-200	0.2	0.10
	200-550	0.2	0.10
	550-750	0.3	0.20
	750-1002	0.3	0.20
	1002-1218	0.3	0.20
Return Loss			
Minimum (dB)	5-85	40	45
	85-200	45	50
	200-550	40	42
	550-750	35	40
	750-1002	30	35
	1002-1218	25	30

Specifications ACF-6-NL

General	
Nominal Impedance	75 Ω
Current Rating	5.0 amps continuous
F-connector Type	ANSI/SCTE 01 Compliant Sealed Auto-Seizing F-port
KS Pin Connector	ANSI/SCTE 111 Compliant 5/8-24 Port
Environmental	
Operating Temperature	-40 °C to +60 °C
Surge Withstand	6 kV Combination Wave (IEEE C62.41-1991 Cat. B3)
Pressure Seal	15 psi
Shielding Effectiveness	>115 dB



1. Connecting the F-connector onto the CamPort® compresses the protruding dielectric.
2. The dielectric sliding parts compress inwards onto the center pin of coaxial cable providing 2000 grams of pull force.